


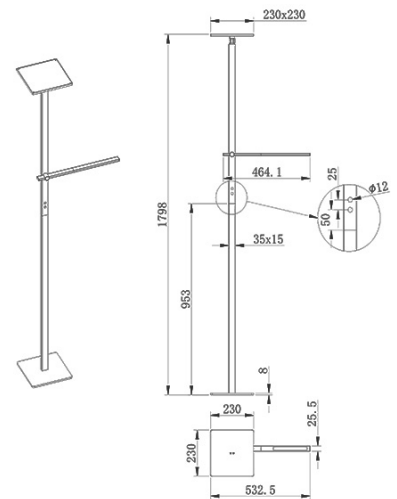


# Ideal

Adjustable reflector

<b>Code</b>	<b>3550-10-101</b>	
<b>Type</b>	Floor lamp	
<b>Designer</b>	S.T. Fabas Luce	
<b>Eancode</b>	8019282519089	
<b>Customs tariff</b>	94052190	
<b>Color</b>	Black	
<b>Material</b>	Aluminum frame	
<b>IP</b>	IP20	
<b>Insulation Class</b>		
<b>Item Dimensions</b>	Max 464x1798mm - 5.5kg	
<b>Packaging Dimensions</b>	315x140x1095mm - 7.6kg	
	<b>Light Source 1</b>	<b>Light Source 2</b>
<b>Light source</b>	LED 40W Built-in	LED 8W Built-in
<b>Power Pack Type</b>	Touch dimmer	Touch dimmer
<b>Light Source Lumen</b>	3050 lm	670 lm
<b>Color Temperature</b>	Warm white 3000K	Warm white 3000K
<b>Energy Efficiency Class</b>		
	<b>Electrical specifications 1</b>	<b>Electrical specifications 2</b>
<b>Input Voltage</b>	230 Vac 50Hz	230 Vac 50Hz



CE