

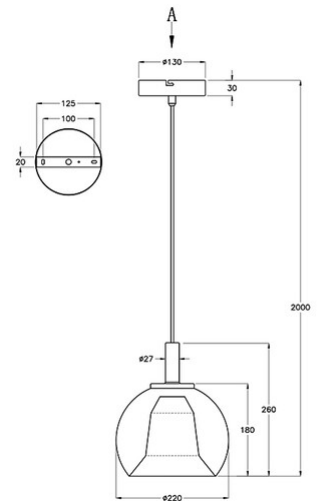


Bretagna

Code	3599-40-241
Type	Suspension lamp
Designer	_blank design studio
Eancode	8019282517504
Customs tariff	94051950
Color	Transparent
Material	Metal frame and borosilicate glass
IP	IP20
Insulation Class	 CL1
Smartluce	 Compatible
Item Dimensions	Max 2000mm Ø220mm - 1.06kg
Packaging Dimensions	280x245x370mm - 1.46kg
	Light Source 1
Light source	E27 1x 40W Not included
	Electrical specifications 1
Input Voltage	230V AC 50Hz



CE