

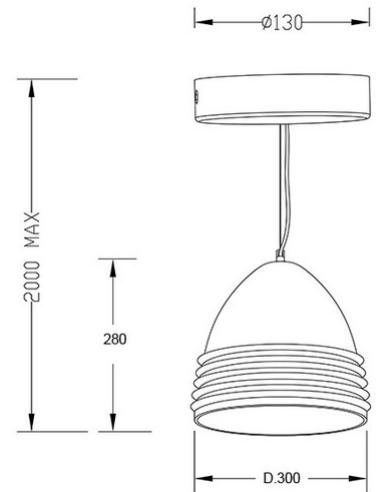


Gavia

Code	3609-45-179
Type	Suspension lamp
Designer	S.T. Fabas Luce
Eancode	8019282518761
Customs tariff	94051940
Color	Bronze
Material	Metal and ceramic frame
IP	IP20
Insulation Class	 CL2
Smartluce	 Compatible
Item Dimensions	Max 2000mm Ø300mm - 3.6kg
Packaging Dimensions	360x360x360mm - 3.9kg
	Light Source 1
Light source	E27 1x 40W Not included
	Electrical specifications 1
Input Voltage	230V AC 50Hz



CE