
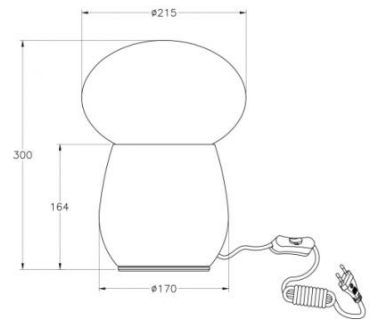


Freddy

Code	3752-30-102
Type	Table lamp
Designer	MBDO
Eancode	8019282545965
Customs tariff	94052950
Color	White
Material	Blown glass
IP	IP20
Insulation Class	
Item Dimensions	300mm Ø215mm - 1.7kg
Packaging Dimensions	280x280x430mm - 3.2kg
	Light Source 1
Light source	E27 1x 40W Not included
Power Pack Type	With switch
	Electrical specifications 1
Input Voltage	230 Vac 50Hz



CE