

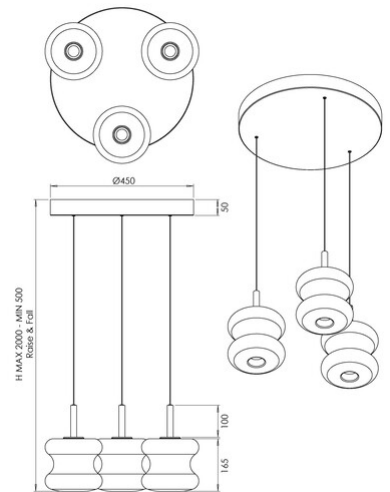


Frua

Code	3814-47-365
Type	Suspension lamp
Designer	Thomas Vivian
Eancode	8019282560746
Customs tariff	94051150
Color	Cognac
Material	Metal frame and borosilicate glass
IP	IP20
Insulation Class	 CL1
Item Dimensions	Max 2000mm Ø450mm - 3.7kg
Packaging Dimensions	500x500x380mm - 7.3kg
Light Source 1	
Light source	LED 3x 7W Built-in
Light Source Lumen	2550 lm
Color Temperature	CCT (2700K 3000K 4000K)
Energy Efficiency Class	
Electrical specifications 1	
Input Voltage	230V AC 50Hz
Control System	Steps dimmable



CE