
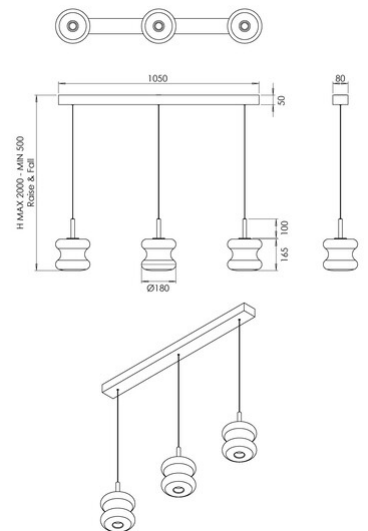


Frua

Code	3814-48-377
Type	Suspension lamp
Designer	Thomas Vivian
Eancode	8019282560777
Customs tariff	94051150
Color	Light transparent grey
Material	Metal frame and borosilicate glass
IP	IP20
Insulation Class	 CL1
Item Dimensions	870x60xMax 2000mm Ø180mm - 5.34kg
Packaging Dimensions	235x1095x330mm - 7.02kg
Light Source 1	
Light source	LED 3x 7W Built-in
Light Source Lumen	2550 lm
Color Temperature	CCT (2700K 3000K 4000K)
Energy Efficiency Class	
Electrical specifications 1	
Input Voltage	230V AC 50Hz
Control System	Steps dimmable



CE