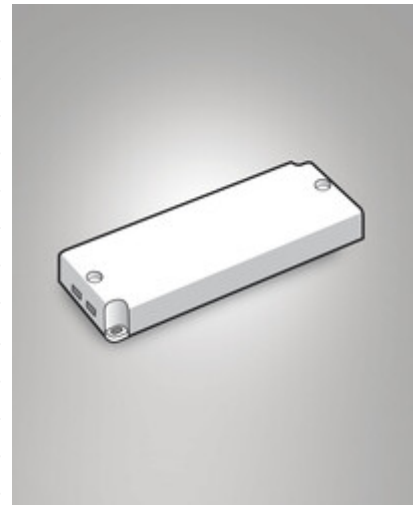


Power Supply 24V DC

Code	6301-02-054
Type	Power Supplies and Drivers
Eancode	8019282064732
Customs tariff	85043180
Material	Metal frame
IP	IP67
Made In	Italy
Item Dimensions	252x90x44mm
	Electrical specifications 1
Total Absorbed Power	320W
Control System	0-10V
Driver Output	24V DC
Driver Input	90/305V AC



CE