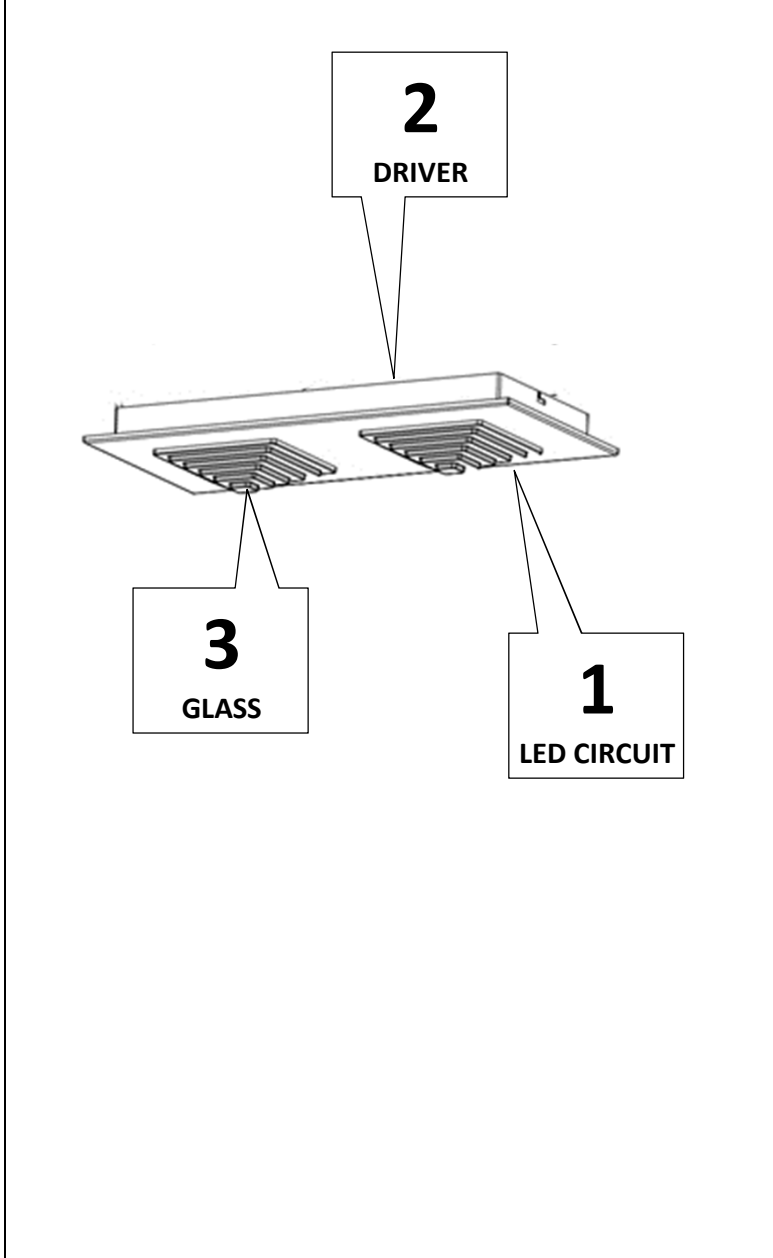


Date	
Fabas item	3404-22-102
	FORMIA
Customer item	

Spedire a / Send to:
FABAS LUCE S.p.A.
 Via Luigi Talamoni, 75
 20047 Brugherio (Milano)
 Tel 0039 039 890 69 1
 0039 039 214 22 06
 Fax 0039 039 214 22 08
 www.fabasluce.it
 info@fabasluce.it



Nr.	CODE	Q.TY'	BAR CODE
1	ELE332421		8019282088691
2	EAT335422		8019282088547
3	CVT1023404		8019282100690
4			
5			
6			
7			
8			
9			
10			
11			
12			
13			
14			
15			
16			
17			
18			
19			
20			

Note

Customer :